

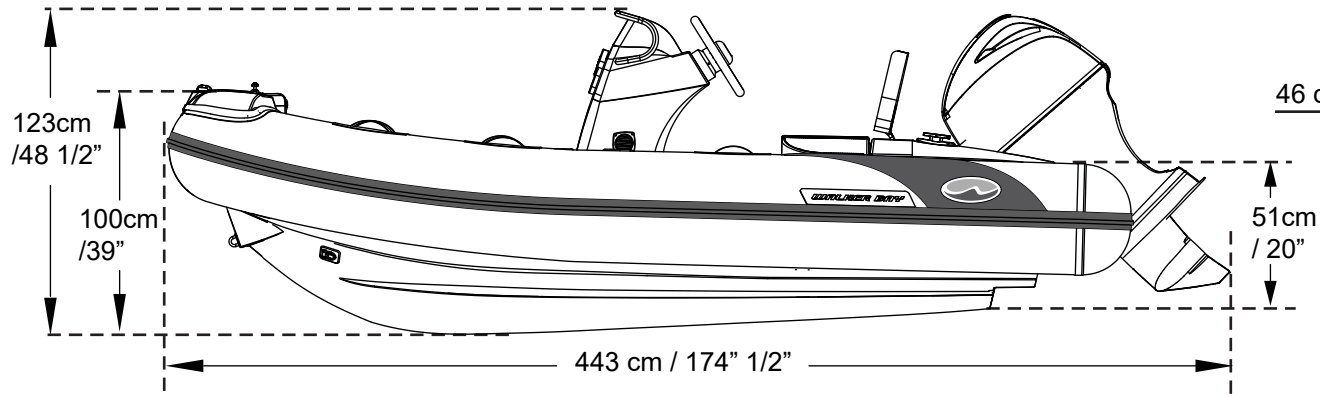
GENERATION 13 LTE

SPECIFICATIONS & MAXIMUM CAPACITIES

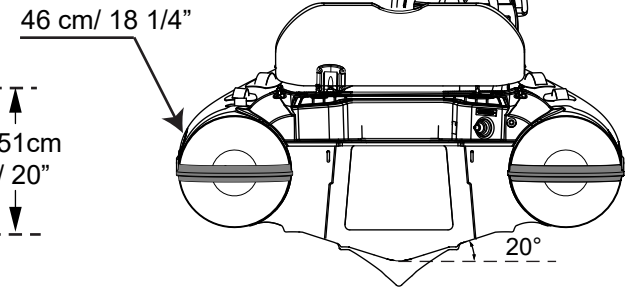


WALKER BAY

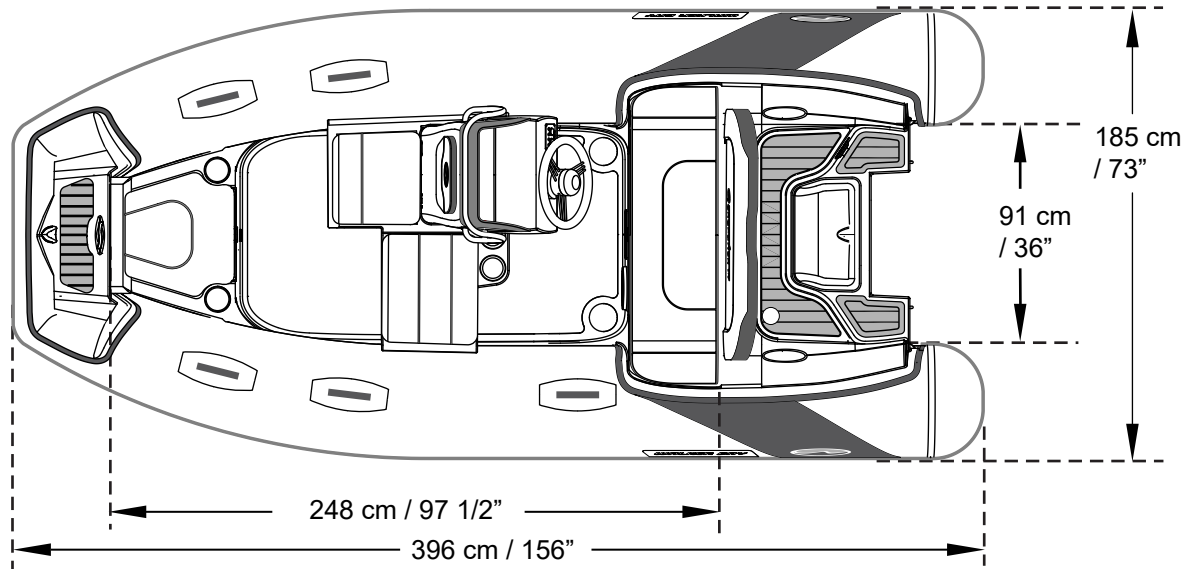
Side View



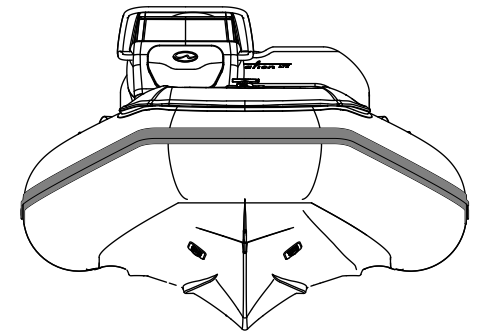
Rear View



Top View



Front View



- * Basic Wet Weight Includes:
- Pedestal Console Base
 - Honda 50 HP
 - Full fuel tank 11 gallons
 - Battery
 - Rigging

SPECIFICATIONS & MAXIMUM CAPACITIES (Subject to change without notice. Tolerances: Dimensions +/- 1% Weight +/- 3%)

MODEL	ISO 6185 PART	ISO 6185			#			Length							* Basic Wet Weight (Approximate) 50 HP + Fuel		AIR CHAMBERS							
			KG	LB		KG	LB		KG	LB	KG	LB	KG	LB	PSI	BAR								
			Maximum	Recommended		Maximum Speed	KG		LB	KG	LB													
GENERATION 13 LTE	3	C	788	1737	6	450	990	L	96	211	37	50	37	50	30	35	56	171	376	351	775	3	3.5	0.24